

www.baumann-sideloaders.com

CAVAION SIDeloadERS
BAUMANN
the art of working sideways

THE ELX SERIES

3 - 5 TONNES CAPACITY

120V Heavy Duty Electric

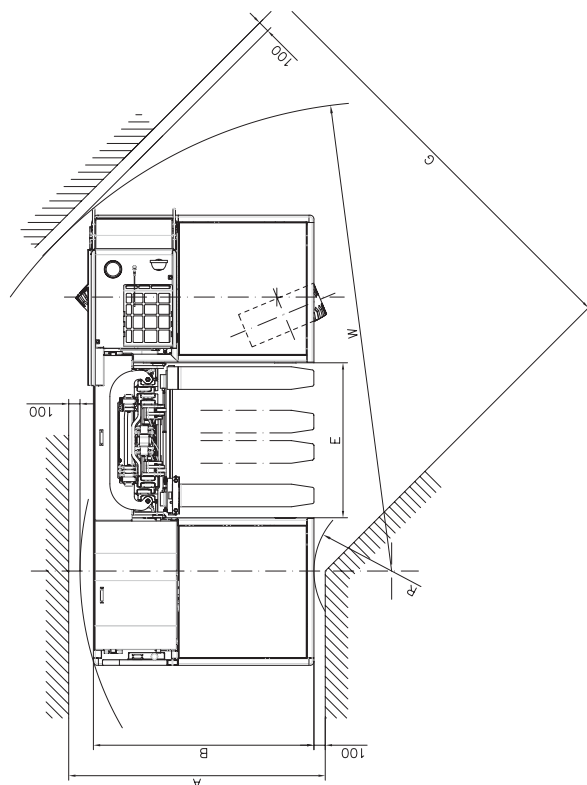
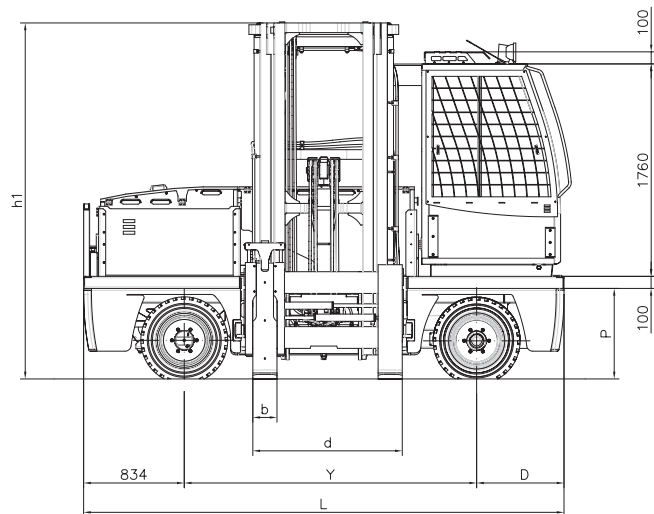
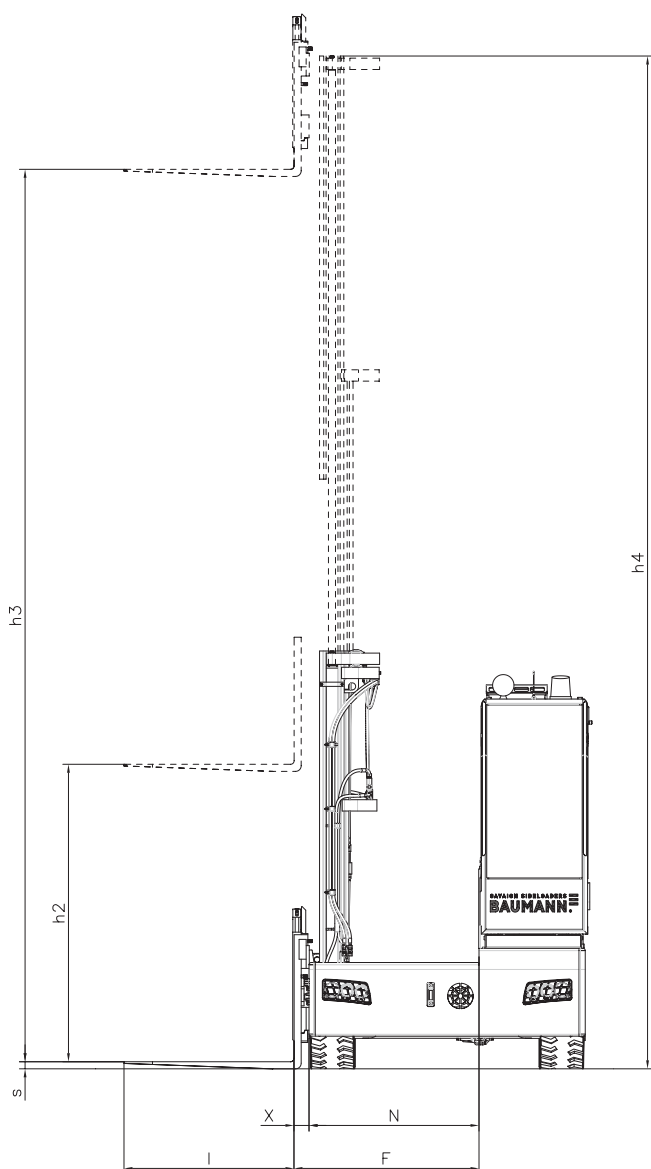


Efficient, intelligent & tough
Under four metres in length
Load-sensing
Highly manoeuvrable
Amazing work-cycles

TYPE			ELX 30	ELX 40	ELX 50
Technical Data					
Lifting capacity	Q	Kg	3000	4000	5000
Load center	C	mm	600/700	600/700	600/700
Fork length	l	mm	1200/1400	1200/1400	1200/1400
Fork width	b	mm	150	150	200
Fork thickness	s	mm	50	50	50
Drive			Electric	Electric	Electric
Type of steering			Hydrostatic	Hydrostatic	Hydrostatic
Type of tyres			Pneumatic	Pneumatic	Pneumatic
Dimensions					
Total length	L	mm	3980	3980	3980
Total width	B	mm	1950/2150	1950/2150	1950/2150
STD mast* height lowered	h1	mm	2850	2850	2850
STD mast* height extended	h4	mm	4880	4880	4880
Cabin height	H	mm	2610/2710	2610/2710	2610/2710
Lift height	h3	mm	4000	4000	4000
Free lift	h2	mm	600	600	600
Chassis tilt angle (up/down)		°	1200±4.36/1400±3.61	1200±4.36/1400±3.61	1200±4.36/1400±3.61
Platform height	P	mm	750	750	750
Platform width	N	mm	1200/1400	1200/1400	1200/1400
Lateral movement	F	mm	1300/1500	1300/1500	1300/1500
Load spacing max.	x	mm	100	100	100
Framework cut	E	mm	1370	1370	1370
Fork spacing max	d	mm	1300	1300	1300
Turning radius inner	R	mm	690	690	690
Turning radius outer	W	mm	4150/4280	4150/4280	4150/4280
Aisle width	A	mm	2270/2460	2270/2460	2270/2460
Aisle width for 90° Turning	G	mm	3840/3970	3840/3970	3840/3970
Performance					
Travel with/without load		Km/h	20/20	20/20	20/20
Lifting with/without load		m/s	0.32	0.32	0.32
Lowering with/without load		m/s	0.4/0.3	0.4/0.3	0.4/0.3
Traverse with/without load		m/s	0.35	0.35	0.35
Tractive power		kN	28	28	28
Gradeability		%	16\18	16\18	16\18
Weights					
Weight of truck		Kg	8000/8500	8700/9200	9000/9500
Axle load front		Kg	7000/7500	7500/8000	8000/8500
Axle load rear		Kg	7500/8000	8000/8500	8500/9000
Chassis					
Tyres front/rear			2/2	2/2	2/2
Tyres size front/rear		Inches	27 x 10-12	27 x 10-12	28X12,5-15 / 355/45-15
Tyres outside diameter		mm	695	695	695
Wheel base	Y	mm	2420	2420	2420
Track front	Sp1	mm	1200=1615 / 1400=1815		1650/1850
Track rear	Sp2	mm	1200=1670 / 1400=1870		1680/1880
Ground clearance		mm	190	190	190
Service brake	hydraulic			Drive Axle	
Parking brake	hydraulic			Drive Axle	
Drive					
Battery Type	5EPZS	120v	5MLM - 5EPZS	5MLM - 5EPZS	5MLM - 5EPZS
Battery Capacity		A	525/625	525/625	625/700
Drive Motor	Number		1 x 20 kW - S1	1 x 20 kW - S1	1 x 20 kW - S1
Gear Changing	Switch	Type	Manual	Manual	Manual
Gear Levels	Fw/Rv		Direct	Direct	Direct
Controller	Mosfet	Inverter	Impulse	Impulse	Impulse
Lift Motor			20 kW S2 60min	20 kW S2 60min	20 kW S2 60min

*STD mast: 4000mm Duplex

ELX 30 - 50	Lift height	Lowered height	Extended height	Free lift
Duplex- Standard ST	h3 mm	h1 mm	h4 mm	h2 mm
	3300	2500	4180	600
	4000	2850	4880	600
	4500	3100	5380	600
	5000	3350	5880	600
	5500	3600	6380	600
	6000	3850	6880	600
Triplex- Free Lift TR	6500	Info on request	Info on request	Info on request
	4500	2350	5380	1470
	5100	2550	5980	1670
	5400	2650	6280	1770
	5700	2750	6580	1870
	6000	2850	6880	1970
	6300	2950	7180	2070
	6600	3050	7480	2170
	6900	3150	7780	2270
	7200	3250	8080	2370
7500	3350	8380	2470	



What's New? The ELX was launched following two years of painstaking research & features an intelligent battery system, redesigned chassis, new wiring schematic, bespoke steering axle & flow matching hydraulic system. The compact 120v AC powered machine is perfect for those looking for longer shift life, comfort & high levels of manoeuvrability. A new steering axle was developed with weight redistributed to provide a lower centre of gravity.



Award-winning innovation: Decades of manufacturing experience and expertise has enabled us to improve, innovate and push sideloader design forward.

The blending of innovation, productivity and durability.

Baumann machines can cope with almost anything you can throw at them.

Our chassis are built to exacting standards, while our masts have a unique profile designed for the specific demands of working sideways.

Toughness is just one of the secrets to our success, helping our equipment to be known worldwide for its durability and reliability.

Baumann is also renowned as an innovator, especially in the important areas of safety and productivity.

Our Variable Reach System (VRS) with Archimedes Outreach is the most advanced development in sideloader

design in over 50 years. We have been nominated nine times in the Fork Lift Truck Association's Excellence Awards, winning for both Environment and Innovation, and are the only sideloader manufacturer to receive the prestigious Watt d'Or from the Swiss Federal Office of Energy.

With a strong reputation for our ability to customise standard models around specific needs, we are a reliable and professional partner, particularly in technical support and after-sales.

Our panoramic operator cabs offer the very latest technology, efficient use of space and high levels of ergonomics.

It all adds up to an enviable package blending the perfect levels of innovation, productivity and durability.



CAVAION SIDeloadERS 
BAUMANN®

ncnielsen

Nørregade 66, 7860 Balling | Tlf.: 99 83 83 83
nc-nielsen.dk | info@nc-nielsen.dk